

## **INTERIOR DETAILS**

BB0050 - WELDED CLIP @ END FRAME DETAIL

BB0055 - WELDED CLIP @ INTERIOR FRAME DETAIL

BB0071 - CF EW RAFTER AT NON-COLUMN BRACE LOCATIONS

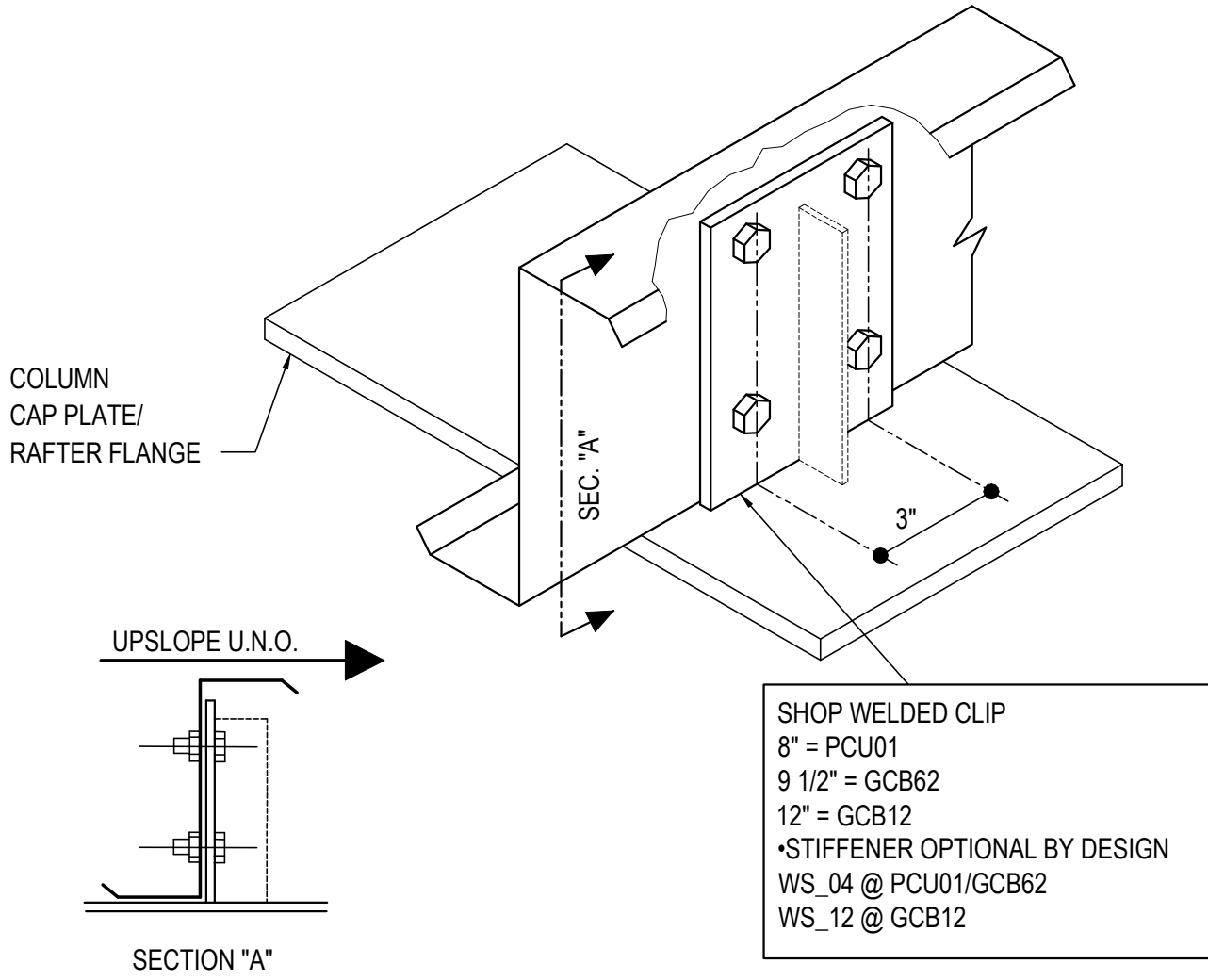
BB0100 - SINGLE CF EW RAFTER AT COLUMN LOCATIONS

BB0110 - PURLIN CONN. @ C. F. RAFTER LAP

---

BB0050 - WELDED CLIP @ END FRAME DETAIL

[Download the DWG file by clicking here.](#)



## WELDED CLIP @ END FRAME

USE (4) 1/2" x 1 1/4" A307 BOLTS H0500/NUTS H0400 U.N.O.  
 REFERENCE ERECTOR NOTE FOR TYP. WASHER REQUIREMENTS

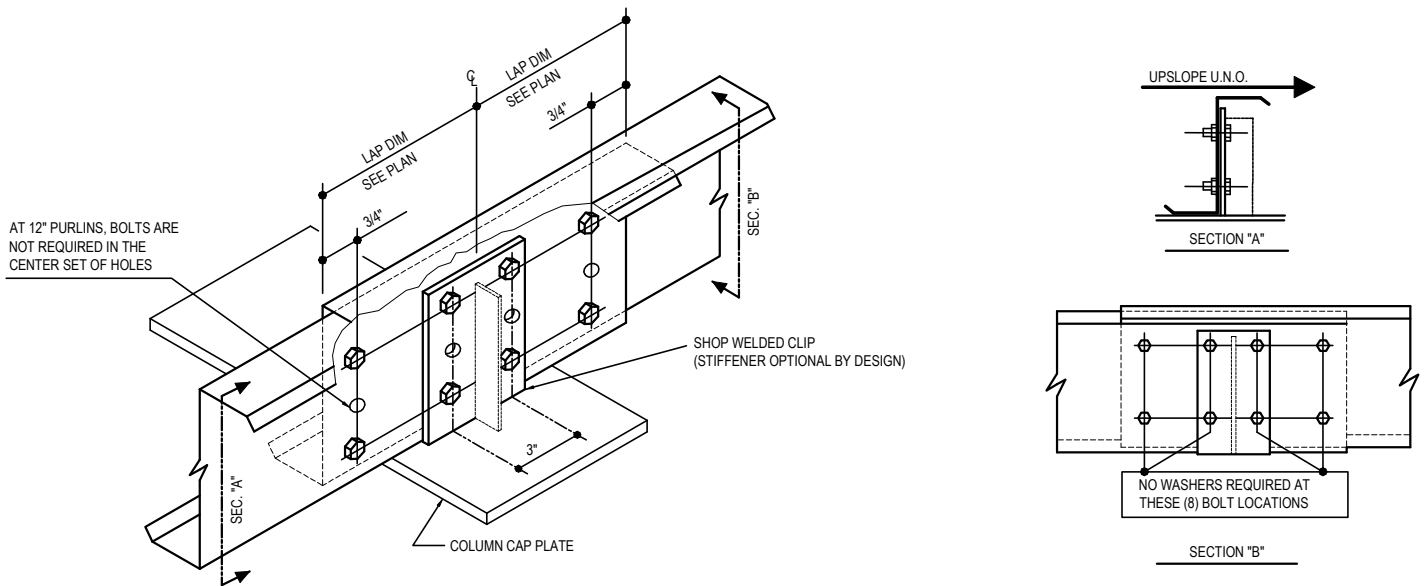
**BB0050**

Detailer Notes:

1) N/A

### BB0055 - WELDED CLIP @ INTERIOR FRAME DETAIL

[Download the DWG file by clicking here.](#)



#### WELDED CLIP @ INTERIOR FRAME

USE (8) 1/2" x 1 1/4" A307 BOLTS H0500/NUTS H0400 U.N.O.

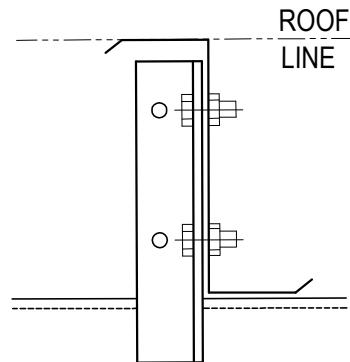
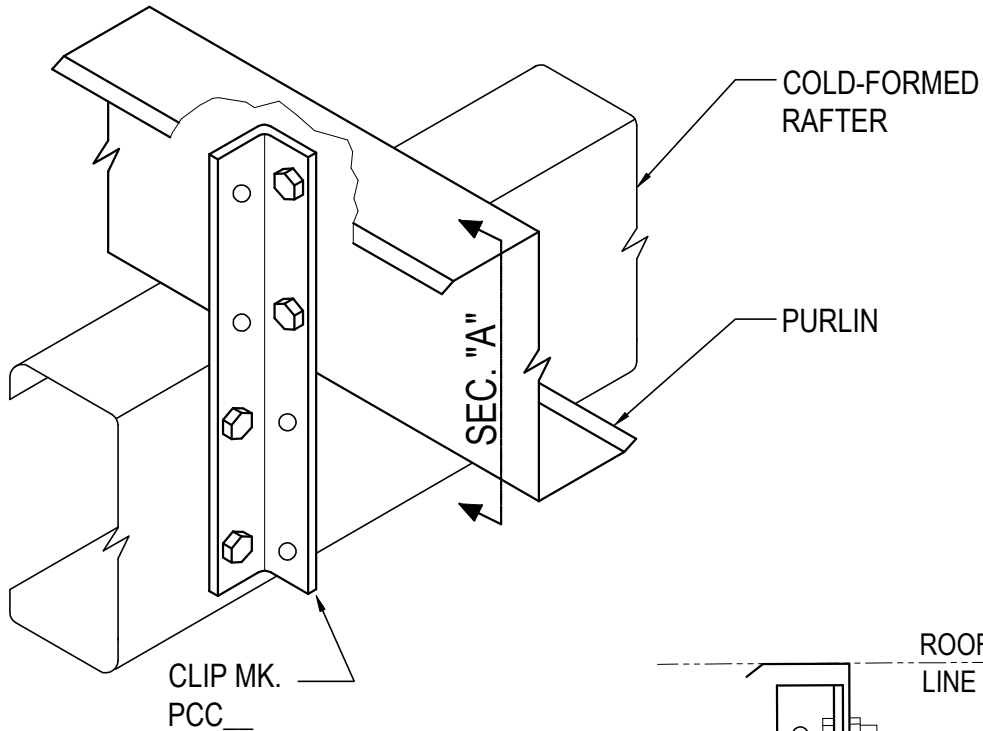
**BB0055**

#### Detailer Notes:

- 1) SHOP WELDED PURLIN CLIPS: 8" = PCU01, 9 1/2" = GCB62, 12" = GCB12
- 2) OPTIONAL PURLIN CLIP STIFFENER BY DESIGN: WS\_04 @ PCU01 / GCB62, WS\_12 @ GCB12

### BB0071 - CF EW RAFTER AT NON-COLUMN BRACE LOCATIONS

[Download the DWG file by clicking here.](#)



		PURLIN DEPTH		
		8"	9.5"	12"
RAFTER DEPTH	8"	PCC01	PCC13	PCC02
	12"	PCC02	PCC14	PCC05

**SECTION A**

## PURLIN CONN @ C.F. RAFTER

USE (4) 1/2" X 1 1/4" A307 BOLT H0500/NUT H0400 U.N.O.  
REFERENCE ERECTOR NOTE FOR TYP. WASHER REQUIREMENTS

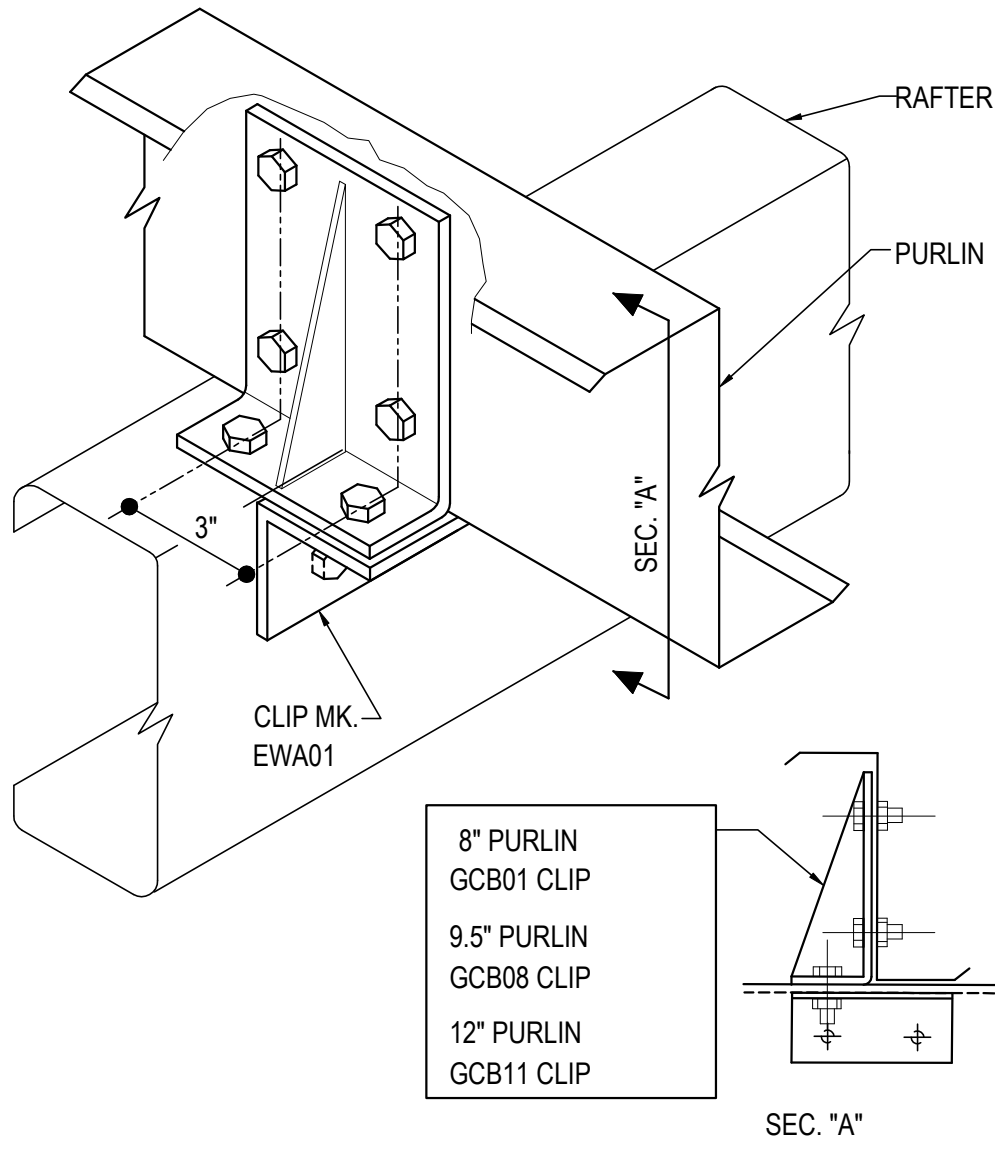
**BB0071**

Detailer Notes:

- 1) N/A

BB0100 - SINGLE CF EW RAFTER AT COLUMN LOCATIONS

[Download the DWG file by clicking here.](#)



**EW PURLIN @ C.F. RAFTER**

USE (8) 1/2" X 1 1/4" A307 BOLT H0500/NUT H0400 U.N.O.  
REFERENCE ERECTOR NOTE FOR TYP. WASHER REQUIREMENTS

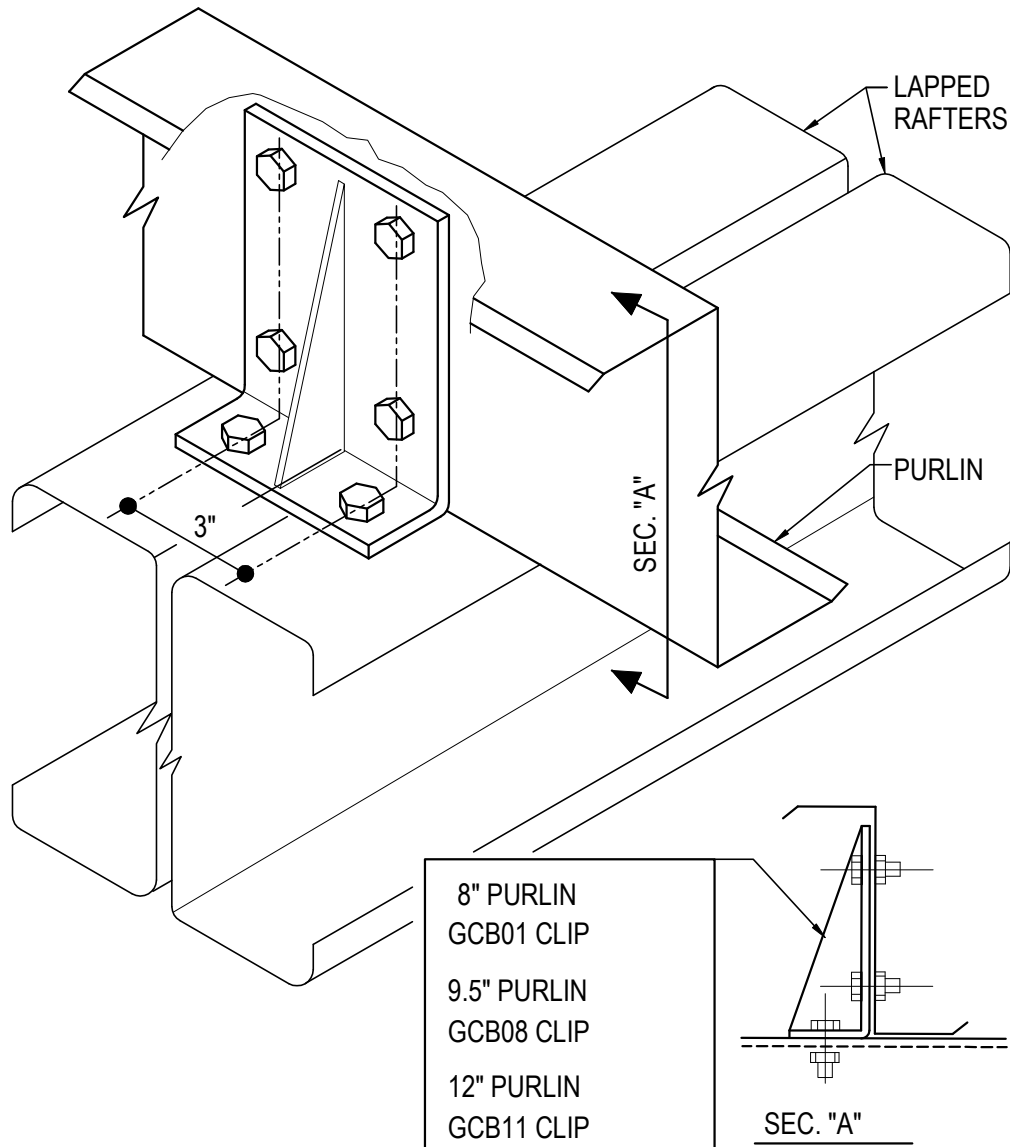
**BB0100**

Detailer Notes:

- 1) N/A

BB0110 - PURLIN CONN. @ C. F. RAFTER LAP

[Download the DWG file by clicking here.](#)



## PURLIN CONN. @ C. F. RAFTER LAP

USE (6) 1/2" X 1 1/4" A307 BOLT H0500/NUT H0400 U.N.O.

REFERENCE ERECTOR NOTE FOR TYP. WASHER REQUIREMENTS

**BB0110**

Detailer Notes:

- 1) N/A